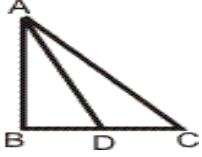
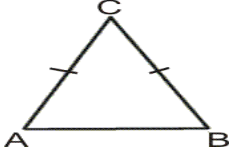
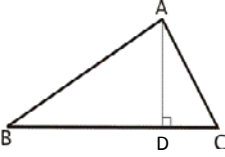
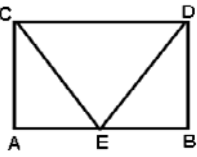
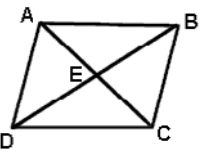
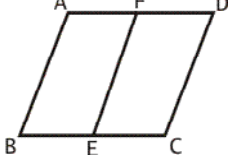
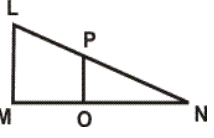
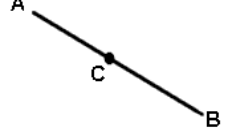
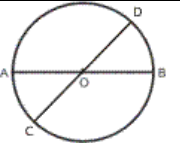
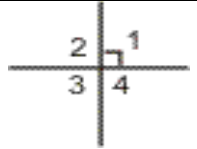


Quiz: Direct Euclidean Proofs

|   |  |   |    |   |  |
|---|--|---|----|---|--|
| 1 |   | Given $AB = BC$<br>Conclusion: _____                          | 2  |   | Given $AB = AC$ .<br>Conclusion: _____                                 |
| 3 |   | Given $\triangle ADC$ is right triangle.<br>Conclusion: _____ | 4  |   | Given E is midpoint of AB.<br>Conclusion: _____                        |
| 5 |   | Given E is midpoint of DB.<br>Conclusion: _____               | 6  |   | Given $BE = EC$<br>Conclusion: _____                                   |
| 7 |   | Given $LN = MN$ .<br>Conclusion: _____                        | 8  |   | Given AC is half of AB.<br>Conclusion: _____                           |
| 9 |  | Given $AO = BO = CO = DO$<br>Conclusion: _____                | 10 |  | Given $\angle 1 = \angle 2 = \angle 3 = \angle 4$<br>Conclusion: _____ |

|                  |    |     |     |     |     |     |     |     |     |     |      |
|------------------|----|-----|-----|-----|-----|-----|-----|-----|-----|-----|------|
| Circle # Correct | 0  | 1   | 2   | 3   | 4   | 5   | 6   | 7   | 8   | 9   | 10   |
| Percentage Score | 0% | 10% | 20% | 30% | 40% | 50% | 60% | 70% | 80% | 90% | 100% |