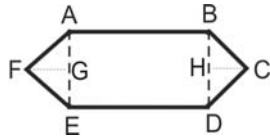
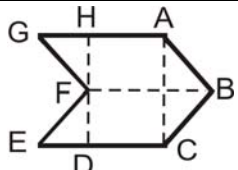
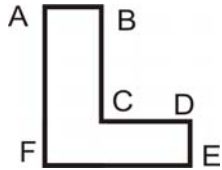
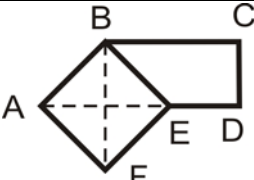

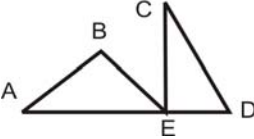
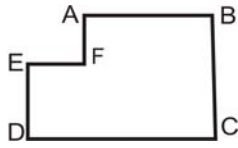
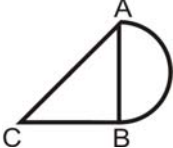

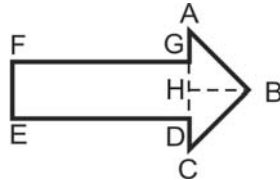


Quiz: Area of Irregular Shapes

Find the area of the figures.

1		AB=7CM BD=4CM FG=2CM CH=3CM	_____	2		BF=12CM DF=4CM HF=5CM	_____
3		AB=4FT AF=12FT CD=5FT DE=4FT	_____	4		AE=8MM BF=8MM ED=2MM BC=12MM CD=4MM	_____
5		AB=20CM BC=20CM OC=4CM CD=15CM EP=6CM	_____	6		AD=16M BC=3M BE=6M CE=10M	_____
7		CD=12CM BC=10CM AF=4CM EF=5CM	_____	8		AB=8M BC=3M	_____
9		BC=13IN AF=4IN FE=5IN	_____	10		AC=17FT HB=6FT DE=10FT DG=8FT	_____

Circle # Correct	0	1	2	3	4	5	6	7	8	9	10
Percentage Score	0%	10%	20%	30%	40%	50%	60%	70%	80%	90%	100%